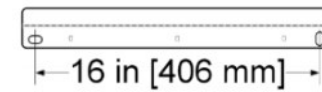
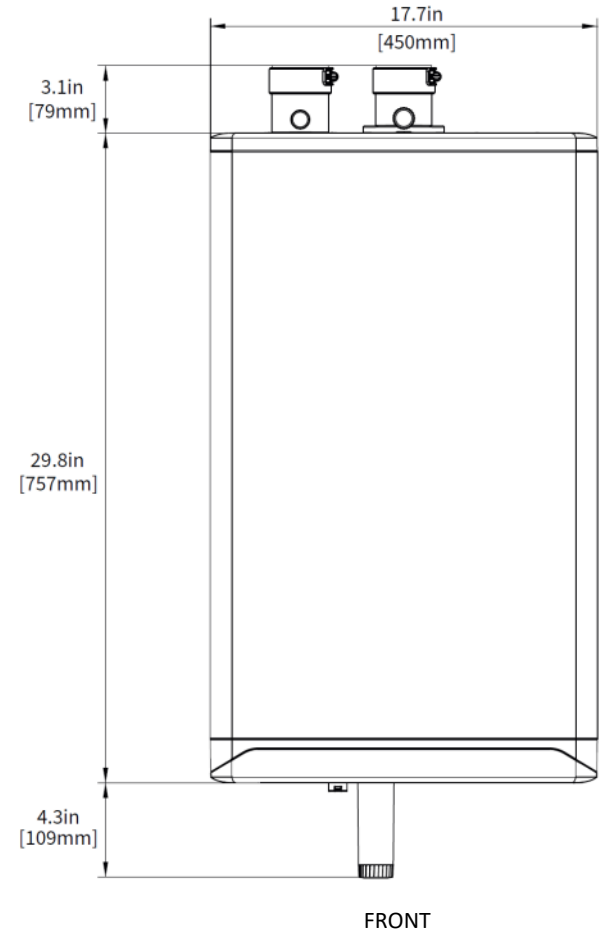
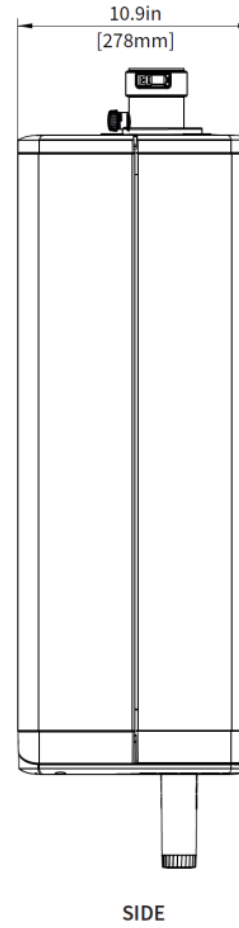
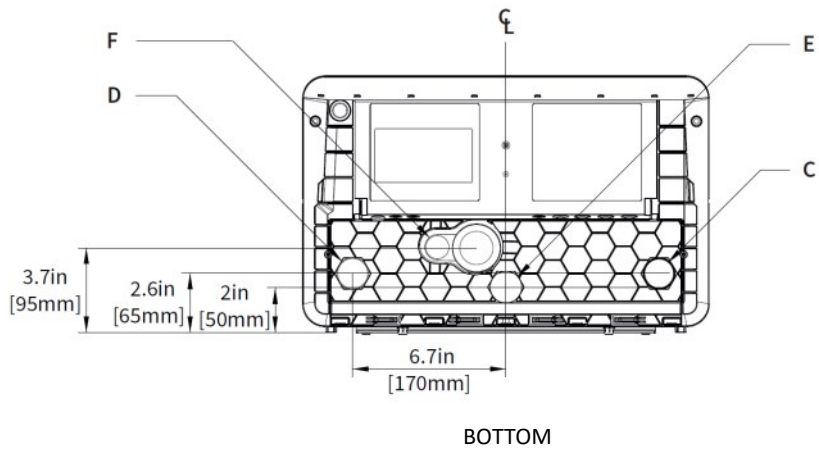
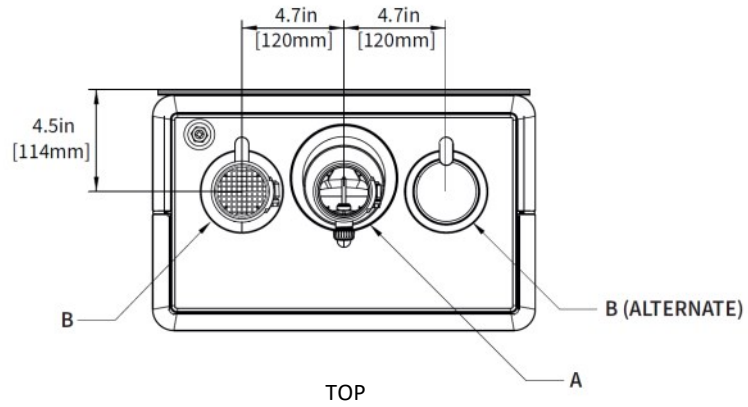


# SFT-1 MEASUREMENTS



WALL BRACKET

SIDE