

# SFC SUPERFLOW COMBI



## DUAL CONDENSING COMBI BOILERS

You expect your combi boiler to provide enough hot water for both your kitchen and bathroom, as well as enough heat to make your home cozy and warm. Our SFC Combi is designed to do just that. Whatever your exact heating and hot water requirements may be, our SFC Combi boiler is sure to be a perfect match for you.



### SIMPLE

- 2 independent copper waterways embedded in a cast aluminum block
- A total of 5 moving parts - Unparalleled in the industry
- Illuminated touchscreen control display panel with built-in DHW recirculation pump relay means no need for external pump relays or timers
- Factory installed domestic water strainer saves installation time
- Contractor friendly: 2" venting up to 65 ft., and 2" vent adapter, standard pipe size connections, and extended pipe fittings

### RELIABLE

- 30-year track record, 2 million installations worldwide
- Innovative state of the art electronic control
- Compatible with standard Propylene Glycol
- Built-in bypass valve to prevent temperature fluctuations (SFC 199-1)
- No need for a 3-way valve or secondary DHW plate heat exchanger
- Will accept a 0-10 VDC signal

### EFFICIENT

- 95% AFUE with full ASME-rated heat exchanger
- Wireless cascade up to 8 units
- Packaged with a high efficiency variable speed pump (ECM)
- Outdoor reset technology increases efficiency by lowering the water temperature automatically
- Advanced modulating temperature control

THE **SMART CHOICE** FOR  
HEAT AND HOT WATER

**IBC**<sup>®</sup>

# SFC - COMBI

## Technical Information

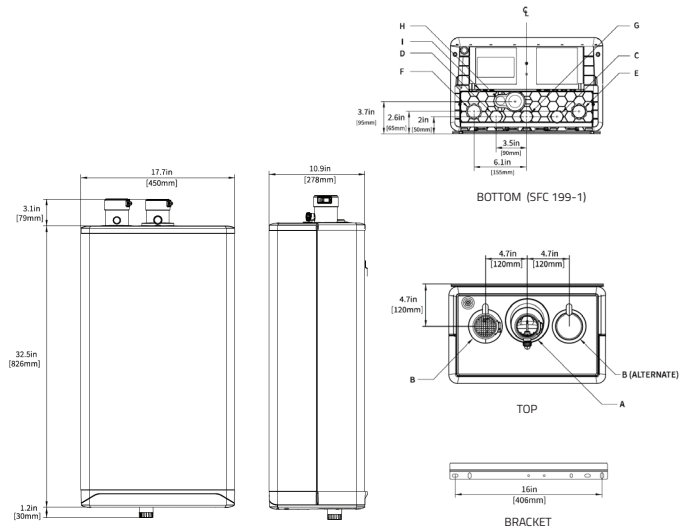


SPECIFICATIONS	SFC 99-1	SFC 125-1	SFC 199-1
CSA Input (Natural Gas or Propane) - MBH	15.5-99	16.5-99	28.5-125
CSA Input (Natural Gas or Propane) - KW	4.5-29.0	4.8-29.0	8.4-36.6
CSA Output - MBH	14.8-89	15.8-89	27.1-111
CSA Output - KW	4.3-26.1	7.9-32.5	
DHW - CSA Input (Natural Gas or Propane) - MBH	15.5-99	16.5-125	28.5-199
DHW - CSA Input (Natural Gas or Propane) - KW	4.5-29.0	4.8-36.6	8.4-58.3
A.F.U.E.	96%	95%	95%
Min. Gas Pressure (Nat. Gas or Propane) - Inch W.C.	4	4	4
Max. Gas Pressure (Nat. Gas or Propane) - Inch W.C.	14	14	14
Power (120Vac/60Hz) - Watts at Full Fire w/ Internal Pump	120	120	120
Weight (empty) - lbs/Kg	85/39	85/39	84/38
Pressure Vessel Water Content - USG/Liters	0.5-1.9	0.5-1.9	0.19/0.72
Max. Boiler Flow Rate - GPM/LPM	10/37.9	10/37.9	12/45.4
Min. Boiler Flow Rate - GPM/LPM	2/7.6	2/7.6	2/7.6
Max. Operating Pressure - Space Heating Coil - psig	43.5	43.5	43.5
Max. Operating Pressure - Domestic Hot Water Coil - psig	150	150	150
Min. Water Pressure - psig	8	8	8
Approved Installation Altitude - ASL	10,000 ft	10,000 ft	10,000 ft
Ambient Temperature - Low (°F/°C)	32/0	32/0	32/0
Ambient Temperature - High (°F/°C)	122/50	122/50	122/50
Max. Relative Humidity (Non-Condensing)	90%	90%	90%
Min. Water Temperature - Space Heating (°F/°C)	51/10	51/10	51/10
Max. Water Temperature - Space Heating (°F/°C)	194/90	194/90	194/90
Min. Water Temperature - Domestic Hot Water (°F/°C)	105/40	105/40	105/40
Max. Water Temperature - Domestic Hot Water (°F/°C)	149/65	149/65	149/65
Min. Flow Rate to Activate DHW Heating - GPM/LPM	0.5/1.9	0.5/1.9	0.5/1.9
Max. Flow Rate DHW Heating - GPM/LPM	4/15.1	4/15.1	7/26.5
Max. Equivalent Vent Length 2" (each side) CAN: ULC-S636	65*	65*	65*
Max. Equivalent Vent Length 3" (each side) CAN: ULC-S636	120'	120'	120'
DHW Delivery: At 67°F/37.2°C Temperature Rise - GPM/LPM	2.4	3.2	5.0/18.9

\*Approximate input derate of 10-16% at 2" maximum vent length



SURFACE	DISTANCE FROM COMBUSTIBLE SURFACES	RECOMMENDED DISTANCE FOR INSTALLATION AND SERVICE
Front	2"	24"
Rear	0"	0"
Left Side	1.5"	6"
Right Side	4"	6"
Top	2"	24"
Bottom	8"	24"



### PIPING CONNECTIONS

PIPING CONNECTIONS	DIMENSIONS
A Exhaust Outlet	2" Schedule 40 PVC
B Combustion Air Inlet	2" Schedule 40 PVC
C Cold Domestic Water Connection	3/4" Male NPT
D Hot Domestic Water Connection	3/4" Male NPT
E Heating Water Inlet (Return)	1" Male NPT
F Heating Water Outlet (Supply)	1" Male NPT
G Gas Inlet	3/4" Male NPT
H Condensate Outlet	3/4" Hose
I Control Wiring Passage	7/16" Rubber Plug

### VENTING

VENTING	MAXIMUM EQUIVALENT LENGTH
<b>Schedule 40 PVC, CPVC, or PPs</b>	(each side)
2"	65'
3"	120'
2" or 3" 90° Long Sweep Vent Elbow	Allow 5 equivalent feet
2" or 3" 90° Short Sweep Vent Elbow	Allow 8 equivalent feet
2" or 3" 45° Short Vent Elbow	Allow 3 equivalent feet
<b>PPs</b>	
PPs 87-90° Elbow	Allow 8 equivalent feet
<b>Flex PPs</b>	
3" PPs Flex	35' Actual (Equivalent = Actual x 1.4)



Choosing this product instead of a minimum efficiency alternative offsets CO<sub>2</sub> emissions equivalent to planting this number of trees over the product's lifetime. The CO<sub>2</sub> Impact Score is internally calculated on a proprietary point system based on a typical product lifetime and does not denote a third party certification/seal. See website for further information.



sales@ibcboiler.com ■ www.ibcboiler.ca  
Toll Free: 1-844-HEAT IBC / 1-844-432-8422

All information contained in this brochure is subject to change without notice. Due to clerical error, regulation change or product development please confirm all information with IBC.

900-XXX (R1) 01.03.23