



SFT

SUPERFLOW

TANKLESS



FLOW

CONDENSING
TANKLESS WATER HEATER
SFT 199-1

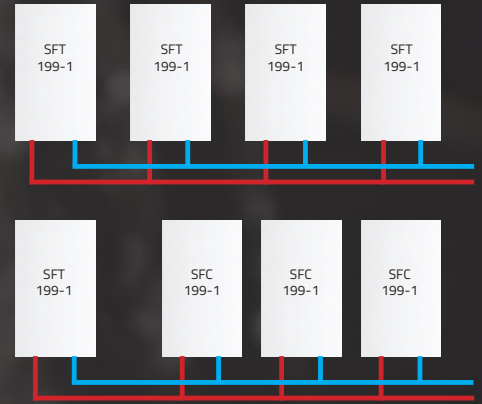


IBC[®]

Unique Wireless Cascade Feature

The **Superflow™ Series** now includes an innovative wireless cascade feature which allows up to 8 units to operate together for instances where a single **Superflow™** unit is not large enough. Create a cascade system using multiple **Superflow™** units to meet your domestic hot water needs with the added benefits of greater efficiency and redundancy. The **Superflow™** wireless cascade system is incredibly easy to setup, yet flexible enough for your most demanding applications.

- Wireless communication means cascade system setup is as simple as enabling the built-in cascade function on up to 8 units. No communication cables required.
- Cascade multiple **Superflow™** units for any DHW and/or space heating application.
- Wireless communication provides the ultimate in cascade system redundancy. The cascade system continues to operate during maintenance or repair of a cascaded unit.



*Wireless cascade multiple configurations up to 8 units.**

INNOVATION

Easy Maintenance

1. Bypass Valve
2. Exhaust Fitting
3. Burner Fan
4. Heat Exchanger
5. Rear Flue Duct
6. Gas Valve
7. Touch Pad Control
8. Condensate Trap
9. Air Intake
10. Cover
11. Inlet Gas Line
12. Outlet Gas Tube



4 Moving Parts

Fan, Bypass Valve, Gas Valve, and Damper

The **SFT Superflow™** contains cutting-edge, solid-state electronics to control its gas valve, fan, and ignition. By doing so, we've succeeded in reducing the number of moving parts, made service simple, and increased reliability.

*Diagrams and images for visual representation only. Consult Installation & Operation Manual for further information.



If you'd like to shower with an uninterrupted hot water supply or run hot water from multiple taps at the same time, then the **SFT SUPERFLOW™** is the perfect solution. The SFT is the latest innovation in high-efficiency tankless water heaters. A continuous supply of hot water through copper waterways at a constant temperature. And no tank in sight.



SIMPLE

Mount > Connect > Plug In > Enjoy Endless Hot Water

- A total of 4 moving parts - Unparalleled in the industry (*Fan, Bypass Valve, Gas Valve, and Damper*)
- New illuminated touchscreen control display panel
- Built-in bypass valve to prevent temperature fluctuations
- Superior performance in hard water areas
- Contractor friendly: 2" venting up to 65 ft. with 2" vent adapter
- Extended pipe connections
- Universal internal parts
- Sleek wall mounted space-saving design

RELIABLE

- Proven patented single pass Labyrinth heat exchanger with fully integrated copper waterways
- No flow reduction in hard water conditions
- Innovative state of the art electronic control

EFFICIENT

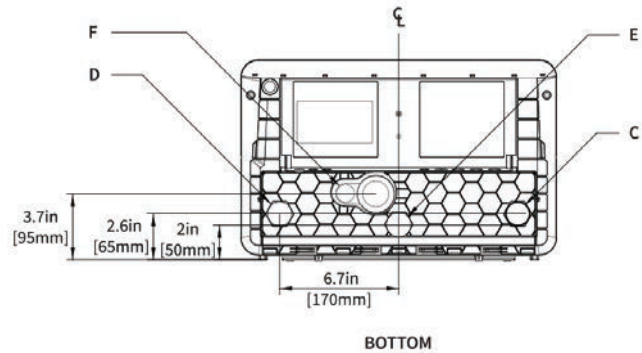
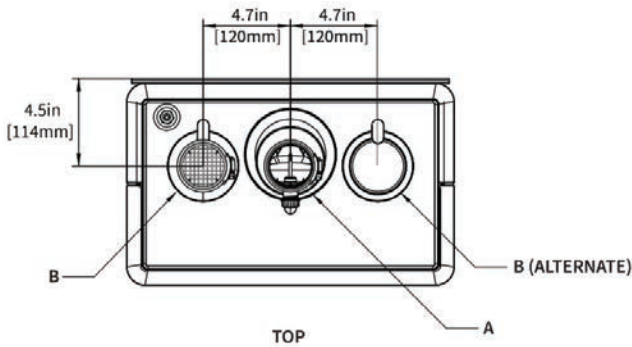
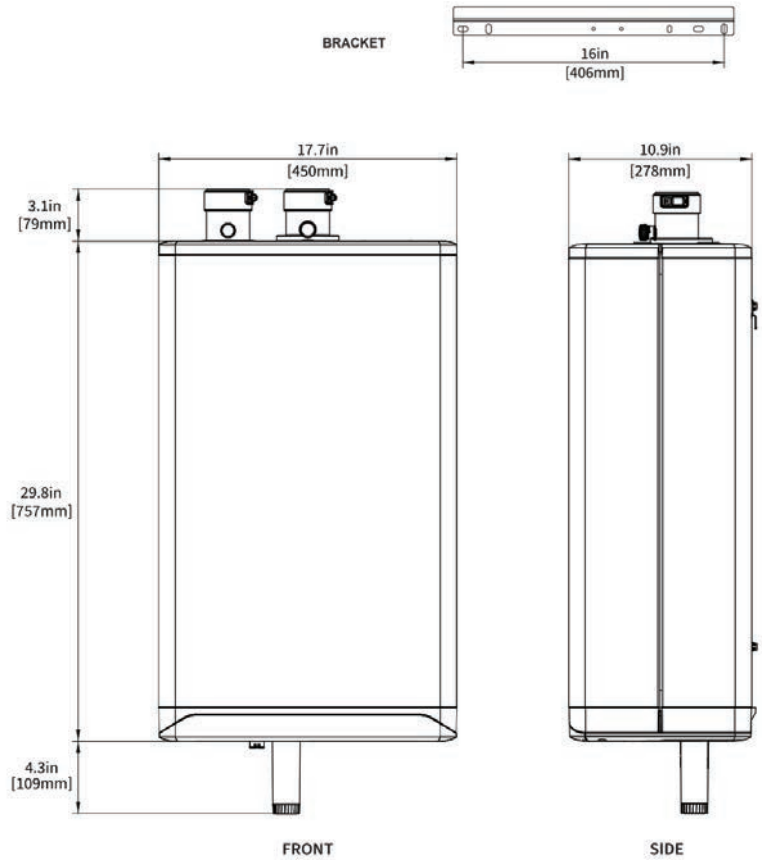
- Fully condensing one-piece heat exchanger
- Wireless cascade of up to 8 units. Multiple cascade configurations available.
- DHW recirculation pump control eliminates the need for an external timer
- Qualifies for top-tier energy rebates. Check your local utility for rebate opportunities.
- Ultra low NOx / low greenhouse gases
- Up to 5.2 GPM continuous at a 70°F rise
- Advanced temperature control

SFT - TANKLESS

Dimensions

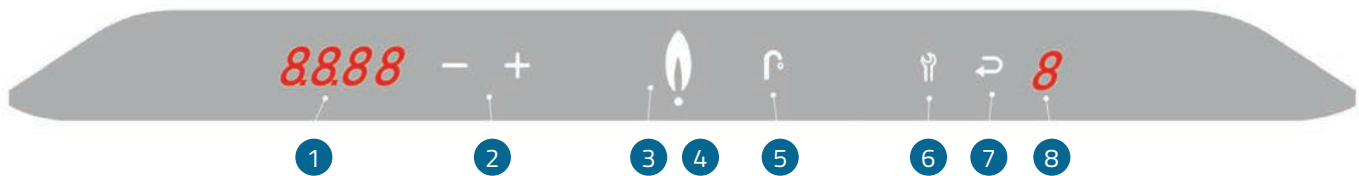
PIPING CONNECTIONS	SFT 199-1
A. Exhaust Outlet	2" Schedule 40 PVC
B. Combustion Air Inlet	2" Schedule 40 PVC
C. Cold Domestic Water Connection & Inlet Filter	3/4" Male NPT
D. Hot Domestic Water Connection	3/4" Male NPT
E. Gas Inlet	3/4" Male NPT
F. Condensate Outlet	3/4" Hose

SURFACE	DISTANCE FROM COMBUSTIBLE SURFACES	RECOMMENDED DISTANCE FOR INSTALLATION AND SERVICE
Front	2"	24"
Rear	0"	0"
Left Side	1.5"	6"
Right Side	4"	6"
Top	2"	24"
Bottom	8"	24"



Touch Panel Control Indicators

The SFT Superflow™ controller functions as an interactive touch-sensitive panel with buttons that light up, showing indicators such as numbers, icons, or letters. Some of these lit indicators signify boiler operational status. Other indicators enable you to program the boiler.



TOUCH PANEL	FUNCTION	TOUCH PANEL	FUNCTION
1. Numerical Display	Main display	5. Tap/Faucet	DHW indicator
2. Plus & Minus	Temperature adjustment	6. Wrench	Service/Reset
3. Flame	Burner ON indicator	7. Return Arrow	Enter/Save
4. Dot	Power ON indicator	8. Numerical Display	Service display

Hard Water RESISTANT

The **SFT SUPERFLOW™** has the best domestic hot water performance in hard water locations. Hard water causes limescale buildup in all types of water heaters resulting in decreased efficiency and performance. When tested against leading Tankless competitors¹, **SUPERFLOW™** had the least amount of limescale buildup and maintained like new performance between routine maintenance. This extraordinary hard water performance is due to our patented heat exchanger design with integrated copper coil.

¹ Tested with a water hardness of up to 400ppm (23gpg).



INNOVATIVE Labyrinth Heat Exchanger Design

Our **SFT SUPERFLOW™** utilizes our patented, tried-and-tested heat exchanger technology that incorporates a fully integrated copper coil, ensuring maximum heat transfer and minimal heat loss.

The cold water supply flows directly through the heat exchanger, condenses flue gasses fully, and extracts as much heat as possible.



SFT - TANKLESS

Technical Information



VENTING	MAXIMUM EQUIVALENT LENGTH
Schedule 40 PVC, CPVC, or PPs	(each side)
2"	65' *
3"	120'
2" or 3" 90° Long Sweep Vent Elbow	Allow 5 equivalent feet
2" or 3" 90° Short Sweep Vent Elbow	Allow 8 equivalent feet
2" or 3" 45° Short Vent Elbow	Allow 3 equivalent feet
PPs	
PPs 87-90° Elbow	Allow 8 equivalent feet
Flex PPs	
3" PPs Flex	35' Actual (Equivalent = Actual x 1.4)

* Approximate input derate of 10-16% at 2" maximum vent length.

SPECIFICATIONS	SFT 199-1
Heat Capacity (Input)	Natural Gas/Propane - 28,500-199,000 BTU/H
Efficiency Ratings (NG & LP)	U.E.F. - 0.9
Flow Rate (DHW): 35°F (19°C) Temp. Rise	10.1 GPM (38 LPM)
Flow Rate (DHW): 45°F (25°C) Temp. Rise	7.9 GPM (30 LPM)
Flow Rate (DHW): 67°F (36°C) Temp. Rise	5.4 GPM (20 LPM)
Dimensions (W/H/D)	17.7 in. x 29.8 in. x 10.9 in. (450 mm x 757 mm x 277 mm)
Weight (empty)	68 lb/31 kg
Installation Type	Indoor only wall-hung
Venting Type	Forced Draft Direct Vent
Ignition Type	Electronic Ignition
Water Pressure	40 psig - 150 psig
Gas Pressure (NG or LP*)	4 inch w.c. - 14 inch w.c.
Min. Flow Rate to Activate DHW Heating	0.5 GPM (1.9 LPM)
Pressure Vessel Water Content	0.19 USG / 0.72 L
Ambient Temperature - Low	32 °F / 0 °C
Ambient Temperature - High	122 °F / 50 °C
Max. Relative Humidity (Non-Condensing)	90%
Power Supply: Main Supply	120Vac. 60Hz
Power Supply: Watts at Full Fire	100 watts
Materials: Casing	Painted Steel and Plastic
Materials: Heat Exchangers	Copper Tubes in AL Block
Venting (Canada venting must meet ULC S636)	2" or 3" PVC, CPVC, Polypropylene
Vent Clearances	0" to combustibles
Safety Devices	Flame Proving Module, Flue Gas Temp. Sensor, Protective Fuse
Certified Design	ANSI Z21.10.3 CSA 4.3
Freeze Protection	Yes

* Units ship configured for Natural Gas (NG) with a Propane (LP) conversion kit included.



TEMP RISE	
(°F)	GPM
50	7.2
55	6.6
60	6.0
65	5.6
70	5.2
75	4.8
80	4.5
85	4.3
90	4.0
100	3.6
110	3.3
120	3.0
130	2.8
140	2.6



sales@ibcboiler.com ■ www.ibcboiler.com
Toll Free: 1-844-HEAT IBC / 1-844-432-8422

All information contained in this brochure is subject to change without notice.
Due to clerical error, regulation change or product development please confirm all information with IBC.

900-347 (R2) 11.29.22

IBC®