

EBXTM SERIES

EBX 4 KW
EBX 8 KW
EBX 10KW
EBX 12KW

NEW



HIGH EFFICIENCY MODULATING ELECTRIC BOILER

The EBX modulating electric boiler offers a sustainable heating solution for a primary and secondary heat source for space heating needs up to 41 MBH. Its simple, compact design is easy and economical to install. Ideal for locations where the feasibility of fossil fuel (NG/LP) or venting is unavailable. The EBX requires little or no maintenance and is 100% energy-efficient with no carbon emissions produced.



BUILT-IN FEATURES

- Easy set-up for either set-point or outdoor reset operation
- User friendly interface with plain English
- Outdoor reset capable with outdoor sensor (sold separately)
- Full modulation control of heating elements (0-100%)
- Built-in 3-speed boiler pump
- Built-in flow sensor and high-limit safeties
- Can be used in high temp. applications up to 190°F

EASY TO INSTALL AND SERVICE

- Top cover comes off for easy element replacement
- No venting required - no combustion means no greenhouse gas emissions
- Only 2 moving parts (pump and flow meter)
- Propylene Glycol compatible
- Flexible installation

THE **SMART CHOICE** FOR HEAT

IBC[®]

EBX™ SERIES



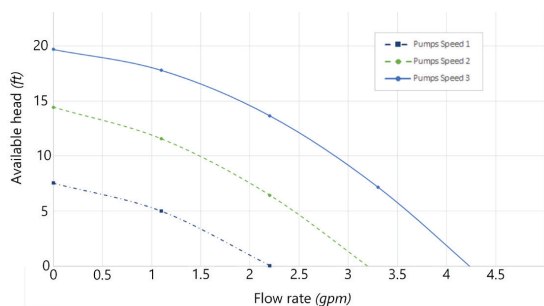
| SPECIFICATIONS | EBX 4K-240 | EBX 8K-240 | EBX 10K-240 | EBX 12K-240 |
|--|--------------------------|-------------------------|---------------------------|---------------------------|
| Power @ 240V | 1.3-13.7 MBH (0.4-4.4kW) | 2.7-27.3 MBH (0.8-8 kW) | 3.4-34.1 MBH (1.0-10 kW) | 4.1-41.0 MBH (1.2-12 kW) |
| Power @ 208V | 1.0-10.2 MBH (0.3-3 kW) | 2.1-20.5 MBH (0.6-6 kW) | 2.6-25.6 MBH (0.8-7.5 kW) | 3.1-30.7 MBH (0.9-9.0 kW) |
| Max. Current Draw (w/ pump) @ 240V | 17.6 A | 34.2 A | 42.6 A | 50.9 A |
| Max. Current Draw (w/ pump) @ 208V | 15.4 A | 30.0 A | 37.1 A | 44.3 A |
| Breaker Size | 30 A | 45 A | 60 A | 70 A |
| Copper Wire Size | 10 AWG | 8 AWG | 8 AWG | 6 AWG |
| Min. Ambient Temperature | 32°F (0°C) | 32°F (0°C) | 32°F (0°C) | 32°F (0°C) |
| Max. Ambient Temperature | 122°F (50°C) | 122°F (50°C) | 122°F (50°C) | 122°F (50°C) |
| Max. Relative Humidity (Non-Condensing) | 90% | 90% | 90% | 90% |
| Min. Water Temperature | 34°F (1°C) | 34°F (1°C) | 34°F (1°C) | 34°F (1°C) |
| Max. Water Temperature (Electronic Hi-Limit) | 190°F (88°C) | 190°F (88°C) | 190°F (88°C) | 190°F (88°C) |
| Max. Water Temperature Lockout Limit | 210°F (99°C) | 210°F (99°C) | 210°F (99°C) | 210°F (99°C) |
| Weight (Empty) | 29 lb (13.2 kg) | 29 lb (13.2 kg) | 29 lb (13.2 kg) | 29 lb (13.2 kg) |
| Min. Boiler Flow Rate | 0.7 USgpm (2.6 Lpm) | 1.4 USgpm (5.3 Lpm) | 1.7 USgpm (6.4 Lpm) | 2.1 USgpm (8.0Lpm) |
| Max. Boiler Flow Rate | 4.2 USgpm (16 Lpm) | 4.2 USgpm (16 Lpm) | 4.2 USgpm (16 Lpm) | 4.2 USgpm (16 Lpm) |
| Max. Operating Water Pressure* | 50 psig (345 kPa) | 50 psig (345 kPa) | 50 psig (345 kPa) | 50 psig (345 kPa) |
| Min. Water Pressure | 8 psig (55 kPa) | 8 psig (55 kPa) | 8 psig (55 kPa) | 8 psig (55 kPa) |
| Element Construction | Titanium | Titanium | Titanium | Titanium |

*Boiler ships with a 30 psi Pressure Relief Valve

| MODELS | | |
|-------------|--------------|----------|
| Description | Model No. | Part No. |
| EBX 4K-240 | IBEW5W1-004K | 016-001 |
| EBX 8K-240 | IBEW5W1-008K | 016-006 |
| EBX 10K-240 | IBEW5W1-010K | 016-011 |
| EBX 12K-240 | IBEW5W1-012K | 016-016 |

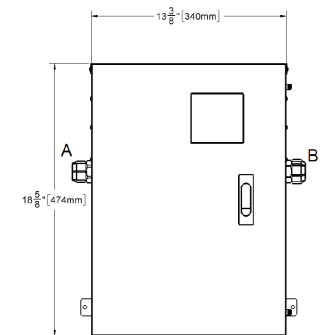
| PIPING CONNECTIONS | | |
|----------------------------|------------------|--|
| Description | EBX | |
| A Supply Water Outlet | 3/4" NPT-M | |
| B Return Water Inlet | 3/4" NPT-M | |
| C Supply Power Knock-Out | Dual 3/4" and 1" | |
| D Control Wiring Knock-Out | 1/2" | |

EBX SERIES PUMP AVAILABLE HEAD - 3 SPEEDS (WATER)

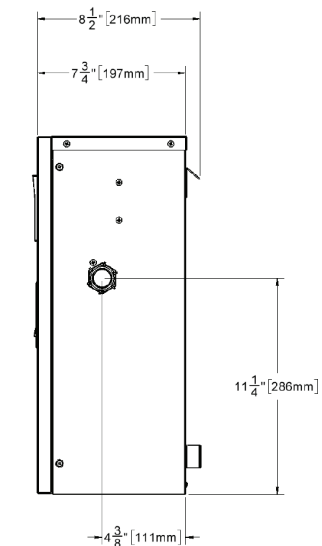


CLEARANCE FROM BOILER CABINET

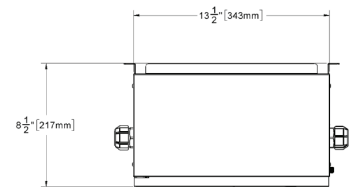
| Surface | Min. Distance From Combustible | Recommended Distance For Installation |
|------------|--------------------------------|--|
| Front | 2" | 24" |
| Left Side | 2" | 4" (allow access to water connections) |
| Right Side | 2" | 4" (allow access to water connections) |
| Top | 2" | 8" (to allow access to elements) |
| Bottom | 2" | 6" (for drain and power supply access) |



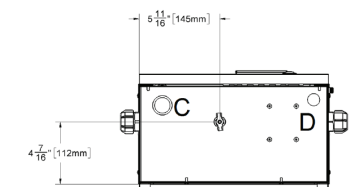
FRONT



SIDE



TOP



BOTTOM

4 Sizes: Space heating up to 41 MBH
4KW 8KW
10KW 12KW

Primary or supplemental heat to existing hydronic systems

A backup for heat pump / solar heating applications up to 41 MBH



sales@ibcboiler.com • www.ibcboiler.com
Toll Free: 1-844-HEAT IBC / 1-844-432-8422

All information contained in this brochure is subject to change without notice. Due to clerical error, regulation change or product development please confirm all information with IBC.

900-905 (R3 01.26.23)