



INTERSTOR[®]

IBT BUFFER TANK

IBT 25

IBT 52

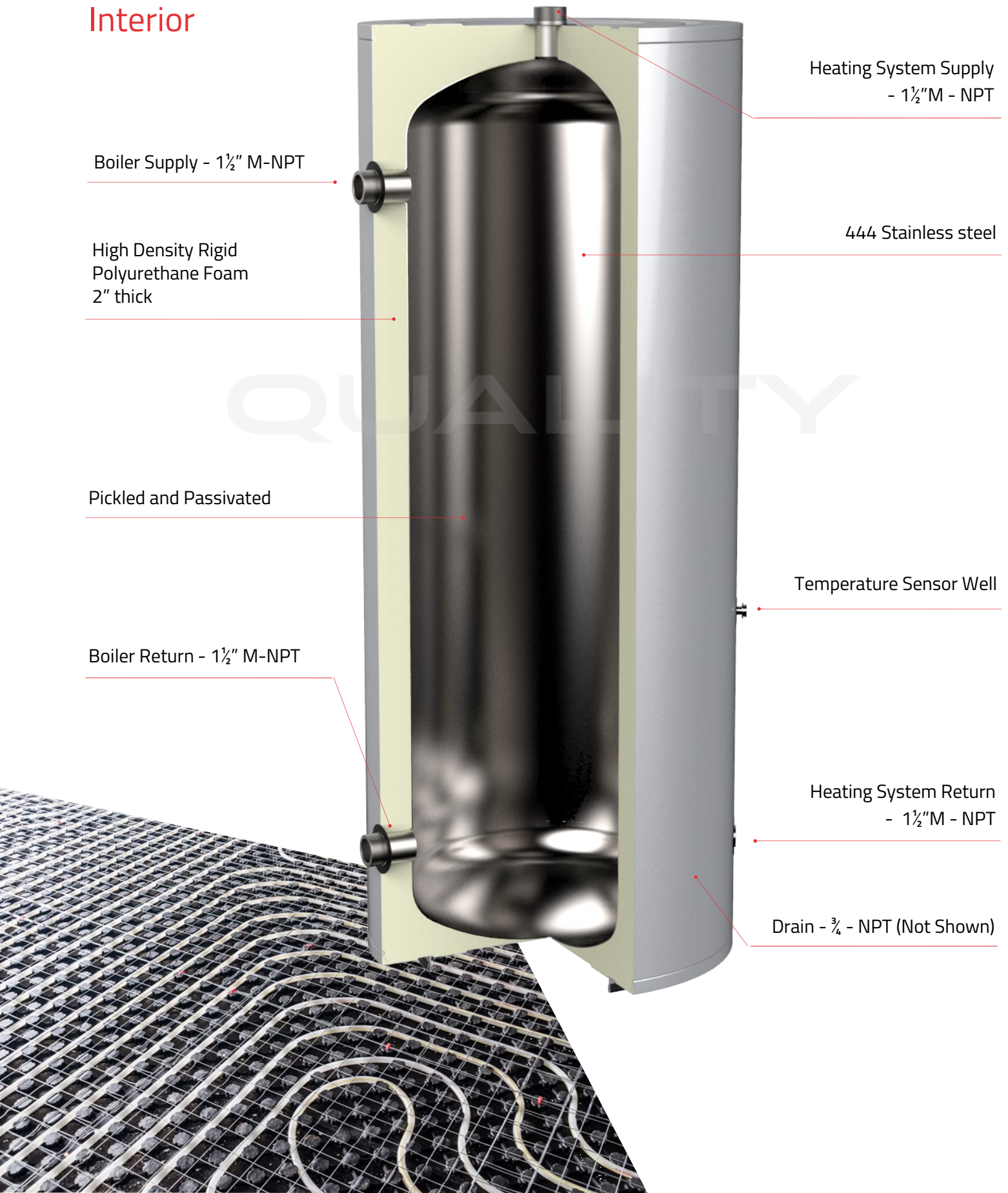


BUFFFER

THE **SMART CHOICE**
FOR HEATING

IBC[®]

Interior



Heating System Supply
- 1 1/2" M - NPT

Boiler Supply - 1 1/2" M-NPT

444 Stainless steel

High Density Rigid
Polyurethane Foam
2" thick

QUALITY

Pickled and Passivated

Temperature Sensor Well

Boiler Return - 1 1/2" M-NPT

Heating System Return
- 1 1/2" M - NPT

Drain - 3/4" - NPT (Not Shown)

Advantages of IBT - Buffer Tanks

The IBT buffer tank is designed to reduce burner short cycling with low mass boilers when the heating system zone load requirements are less than the minimum thermal output of the boiler.

Reduced burner cycles improves efficiency and comfort as well as decreasing wear on boiler components.

The IBT also provides a thermal buffer as well as hydraulic separation, to decouple the heating distribution system water flow from the boiler water flow. The result is consistent water flow rates on both sides of the heating system.



QUALITY CONSTRUCTION

- 444 grade Stainless Steel vessel
- 316L grade stainless steel connection fittings
 - Two 1.5" NPT ports for the boiler circuit
 - Two 1.5" NPT ports for the system circuit
- 3/8" ID thermal well for temperature control
- 2" thick High Density foam insulation
- Galvanized and Powder Coated steel jacket

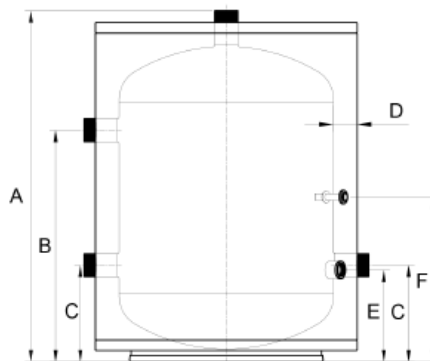
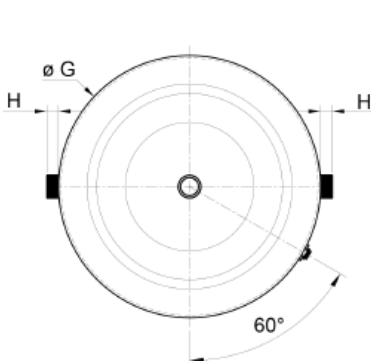
DURABILITY

- All welds are made by a high quality, automated TIG welding process, eliminating the possibility of crevice corrosion. The entire tank is then pickled and passivated both inside and outside improving overall corrosion resistance. There is no substitute for stainless steel when it comes to water heating and storage.

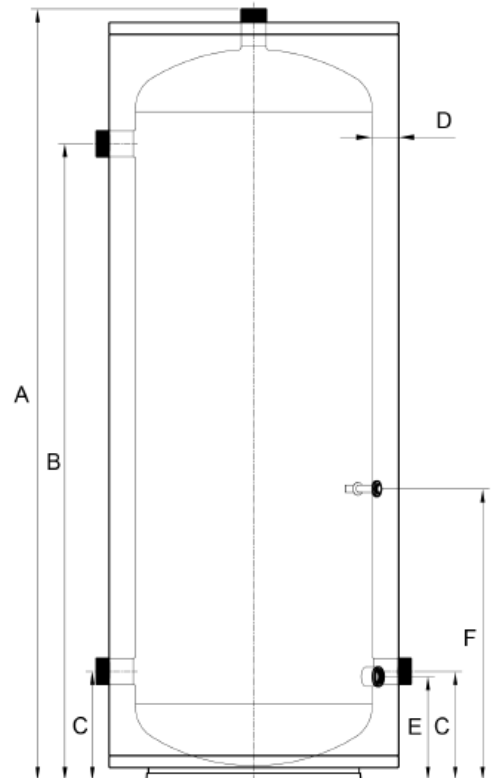
Reference Drawings

DIMENSIONS (INCHES / CM)				
MODEL	A (Height)	B	C	D
IBT 25	29.1 / 74	19 / 48.3	8 / 20.3	2 / 5
IBT 52	56.7 / 144	46.6 / 118.3	8 / 20.3	2 / 5

MODEL	E	F	G (Diameter)	H
IBT 25	7.6 / 19.3	13.5 / 34.3	21.7 / 55	1 / 2.5
IBT 52	7.6 / 19.3	21.4 / 54.3	21.7 / 55	1 / 2.5



IBT 25

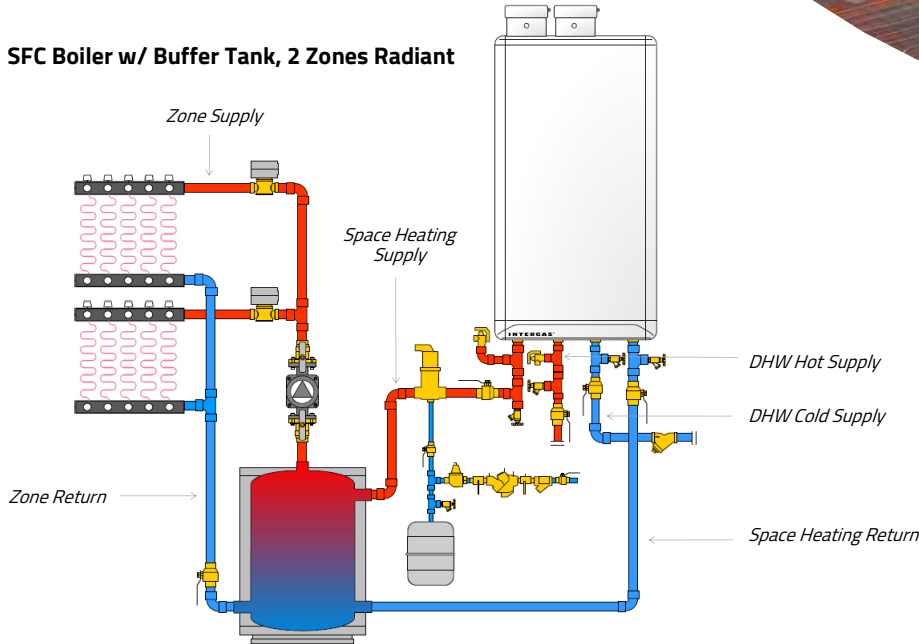


IBT 52

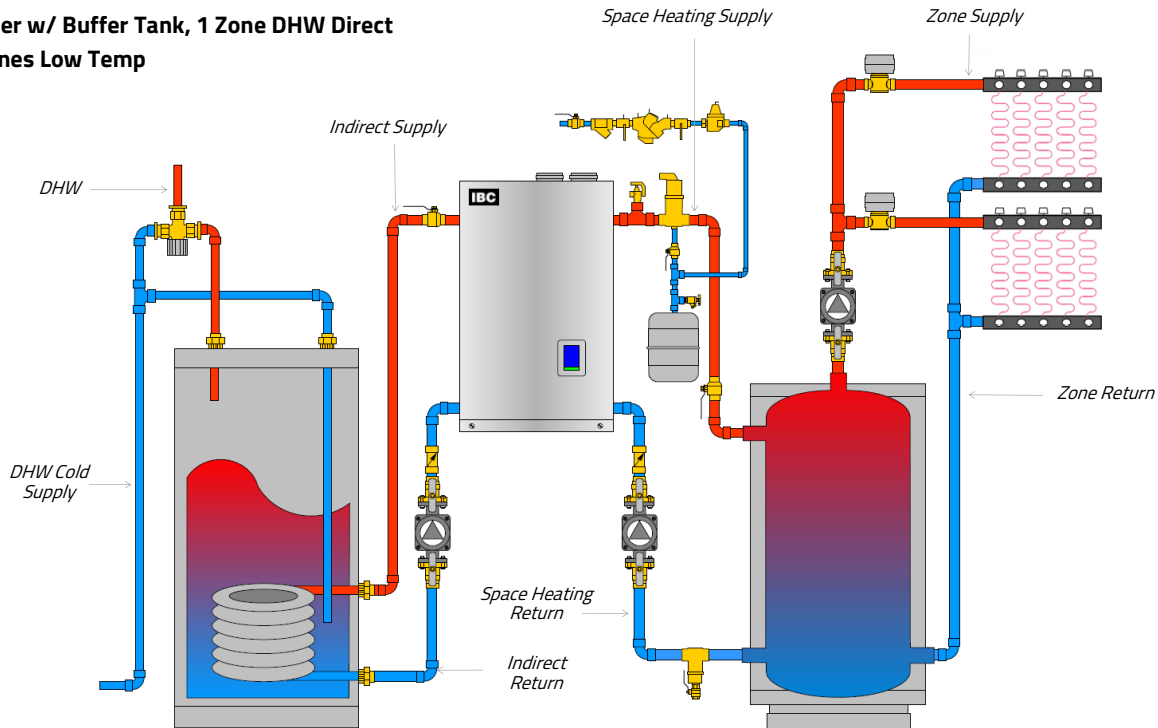


MODEL	BUFFER TANK CAPACITIES			MAX. TANK WORKING PRESSURE
	STORAGE VOLUME USG / L	PIPING CONNECTIONS	DRAIN SIZE	
IBT 25	23.2 / 88	1½" NPT	¾" NPT	150 psi
IBT 52	52.6 / 199	1½" NPT	¾" NPT	150 psi

SFC Boiler w/ Buffer Tank, 2 Zones Radiant



SL Boiler w/ Buffer Tank, 1 Zone DHW Direct & 2 Zones Low Temp



sales@ibcboiler.com • www.ibcboiler.com

Toll Free: 1-844-HEAT IBC / 1-844-432-8422

All information contained in this brochure is subject to change without notice. Due to clerical error, regulation change or product development please confirm all information with IBC