

EZ PIPE

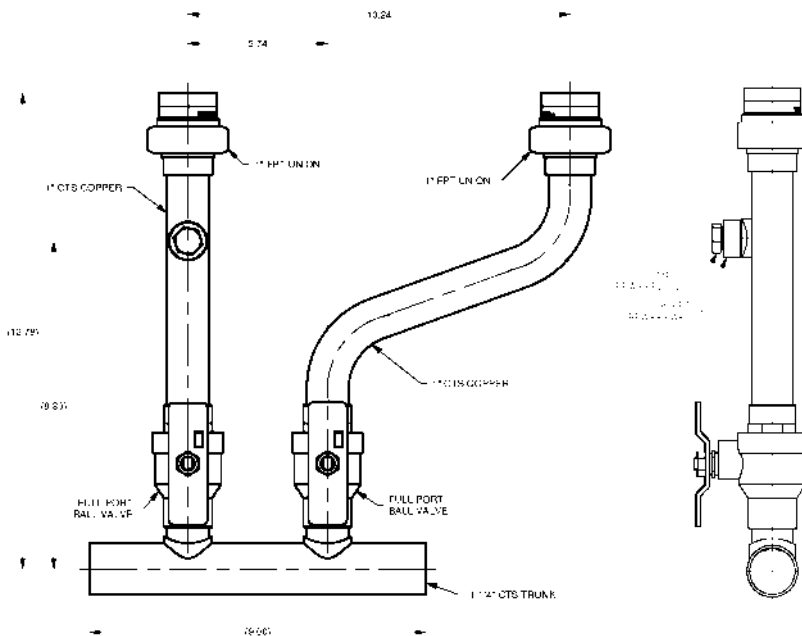
Primary / Secondary Piping Manifold

Designed for:

HC Series DC Series

Custom manifold comes "Installation Ready" and ensures proper flow through the boiler for maximum system performance without call-backs

- Pressure tested to ensure a leak free installation
- Ball valves allow for easy maintenance
- **IBC Part# 190-149**



Save Time - Save Money